

# Installer's Guide

## Heat Pumps

ALL phases of this installation must comply with **NATIONAL, STATE AND LOCAL CODES**.

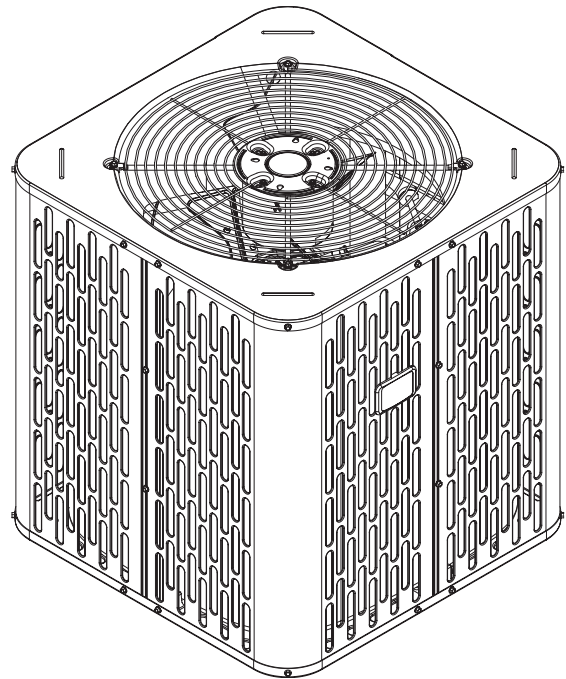
**IMPORTANT** — This Document is customer property and is to remain with this unit. Please return to service information pack upon completion of work.

These instructions do not cover all variations in systems or provide for every possible contingency to be met in connection with the installation. Should further information be desired or should particular problems arise which are not covered sufficiently for the purchaser's purposes, the matter should be referred to your installing dealer or local distributor.

**Note:** The manufacturer recommends installing only approved matched indoor and outdoor systems. All of the manufacturer's split systems are AHRI rated with Piston/TXV/EEV indoor systems. Some of the benefits of installing approved matched indoor and outdoor split systems are maximum efficiency, optimum performance and the best overall system reliability.

### Models

A4HP4017A1000A  
A4HP4018A1000A  
A4HP4023A1000A  
A4HP4024A1000A  
A4HP4030A1000A  
A4HP4036A1000A  
A4HP4042A1000A  
A4HP4048A1000A  
A4HP4060A1000A



### **⚠ WARNING**

Only qualified personnel should install and service the equipment. The installation, starting up, and servicing of heating, ventilating, and air-conditioning equipment can be hazardous and requires specific knowledge and training. Improperly installed, adjusted or altered equipment by an unqualified person could result in death or serious injury. When working on the equipment, observe all precautions in the literature and on the tags, stickers, and labels that are attached to the equipment.

## Section 1. Safety

### WARNING

This information is intended for use by individuals possessing adequate backgrounds of electrical and mechanical experience. Any attempt to repair a central air conditioning product may result in personal injury and/or property damage. The manufacture or seller cannot be responsible for the interpretation of this information, nor can it assume any liability in connection with its use.

### WARNING

These units use R-410A refrigerant which operates at 50 to 70% higher pressures than R-22. Use only R-410A approved service equipment. Refrigerant cylinders are painted a "Rose" color to indicate the type of refrigerant and may contain a "dip" tube to allow for charging of liquid refrigerant into the system. All R-410A systems use a POE oil that readily absorbs moisture from the atmosphere. To limit this "hygroscopic" action, the system should remain sealed whenever possible. If a system has been open to the atmosphere for more than 4 hours, the compressor oil must be replaced. Never break a vacuum with air and always change the driers when opening the system for component replacement. For specific handling concerns with R-410A and POE oil reference Retrofit Bulletins SS-APG006-EN and APP-APG011-EN or APP-APG012-EN.

### WARNING

**UNIT CONTAINS R-410A REFRIGERANT!**  
R-410A operating pressures exceed the limit of R-22. Proper service equipment is required. Failure to use proper service tools may result in equipment damage or personal injury.

#### **SERVICE**

**USE ONLY R-410A REFRIGERANT AND APPROVED POE COMPRESSOR OIL.**

### WARNING

Extreme caution should be exercised when opening the Liquid Line Service Valve. Turn counterclockwise until the valve stem just touches the rolled edge. No torque is required. Failure to follow this warning will result in abrupt release of system charge and may result in personal injury and /or property damage.

### WARNING

#### **LIVE ELECTRICAL COMPONENTS!**

During installation, testing, servicing, and troubleshooting of this product, it may be necessary to work with live electrical components. Failure to follow all electrical safety precautions when exposed to live electrical components could result in death or serious injury.

### CAUTION

If using existing refrigerant lines make certain that all joints are brazed, not soldered.

### CAUTION

Scroll compressor dome temperatures may be hot. Do not touch the top of compressor; it may cause minor to severe burning.

## Table of Contents

Section 1. Safety.....	2
Section 2. Unit Location Considerations .....	4
Section 3. Unit Preparation.....	7
Section 4. Setting the Unit.....	7
Section 5. Refrigerant Line Considerations.....	8
Section 6. Refrigerant Line Routing .....	9
Section 7. Refrigerant Line Brazing.....	10
Section 8. Refrigerant Line Leak Check.....	12
Section 9. Evacuation .....	13
Section 10. Service Valves.....	13
Section 11. Electrical - Low Voltage.....	14
Section 12. Electrical - High Voltage.....	16
Section 13. Start Up.....	17
Section 14. System Charge Adjustment (Systems can be rated with TXV, EEV or Piston).....	18
Section 15. Checkout Procedures and Troubleshooting.....	25

## Section 2. Unit Location Considerations

### 2.1 Unit Dimensions and Weight

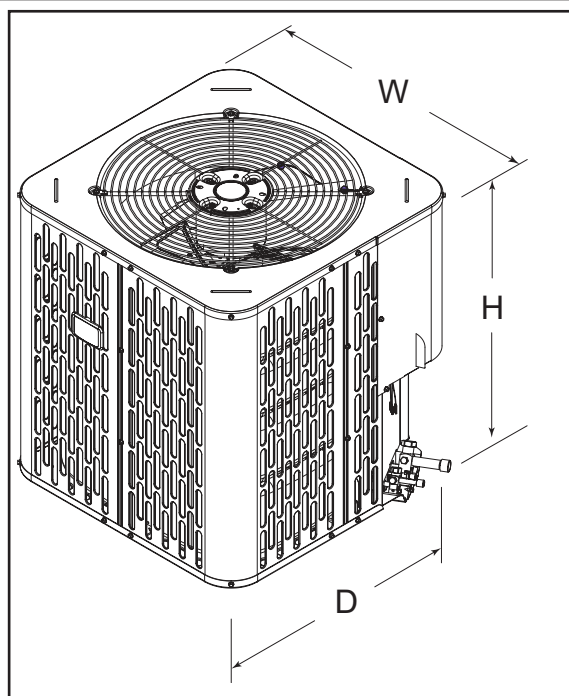
Table 2.1

Unit Dimensions and Weight		
Models	H x D x W (in)	Weight* (lb)
A4HP4017A	28.6 x 23.6 x 23.6	142
A4HP4018A	28.6 x 25.6 x 25.6	143
A4HP4023A	28.6 x 25.6 x 25.6	143
A4HP4024A	28.6 x 29.8 x 29.8	159
A4HP4030A	28.6 x 34.3 x 34.3	177
A4HP4036A	28.6 x 34.3 x 34.3	177
A4HP4042A	28.6 x 34.3 x 34.3	197
A4HP4048A	32.6 x 34.3 x 34.3	210
A4HP4060A	44.6 x 34.3 x 34.3	252

\* Weight values are estimated uncrated.

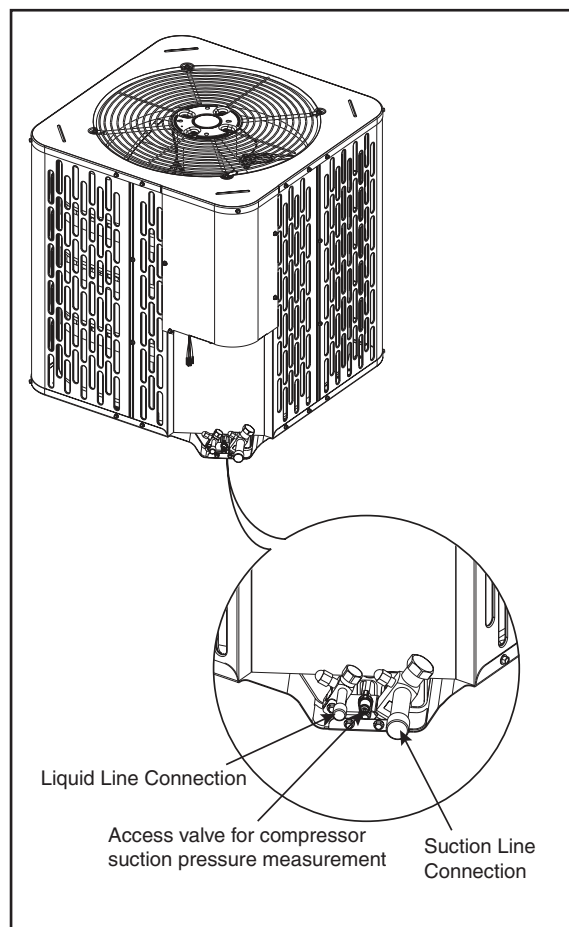
When mounting the outdoor unit on a roof, be sure the roof will support the unit's weight.

Properly selected isolation is recommended to alleviate sound or vibration transmission to the building structure.



### 2.2 Service Valves Locations

1. The locations of the below listed valves in the unit are shown in the figure.
  - a) Liquid line connection
  - b) Access valve for compressor suction pressure measurement
  - c) Suction line connection

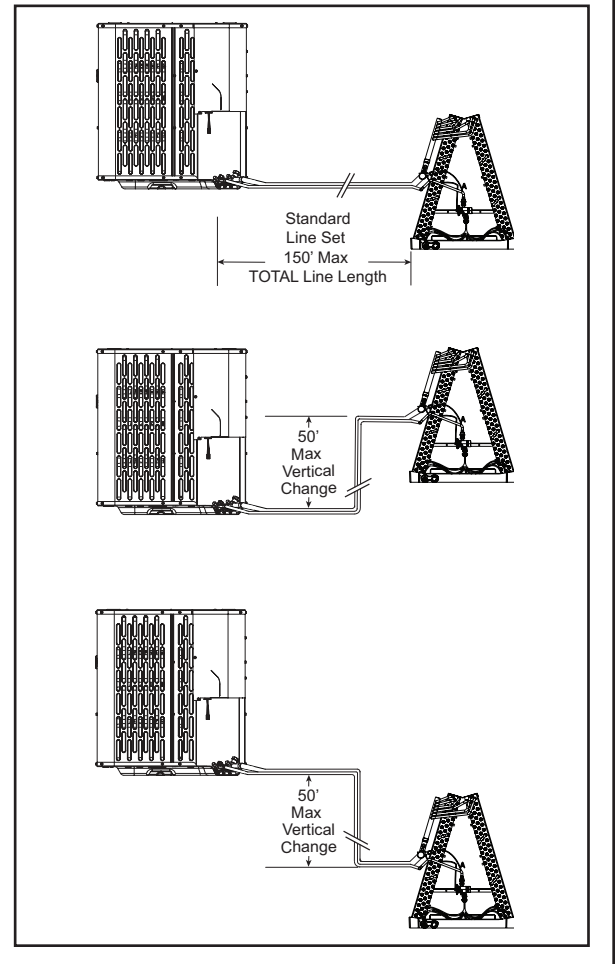




## 2.3 Refrigerant Piping Limits

1. The maximum TOTAL length of refrigerant lines from outdoor to indoor unit should NOT exceed 150 feet (including lift).
2. The maximum vertical change should not exceed 50 feet.
3. Service valve connection diameters are shown in Table 5.1.

**Note:** For other line lengths, Refer to Refrigerant Piping Application Guide, SS-APG006-EN or Refrigerant Piping Software Program, 32-3312-03 (or latest revision).



## 2.4 Suggested Locations for Best Reliability

Ensure the top discharge area is unrestricted for at least five (5) feet above the unit.

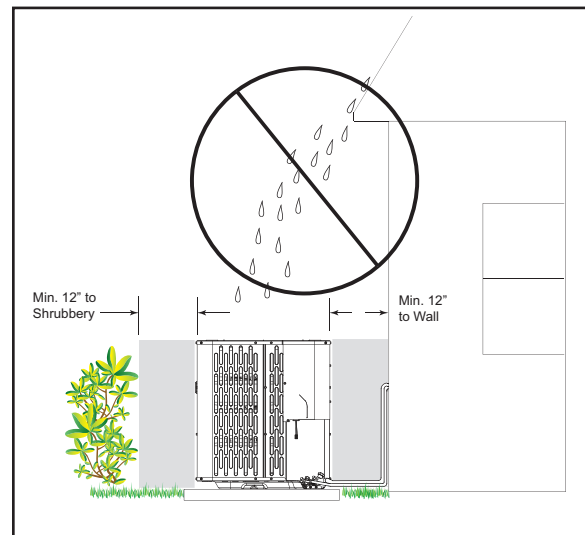
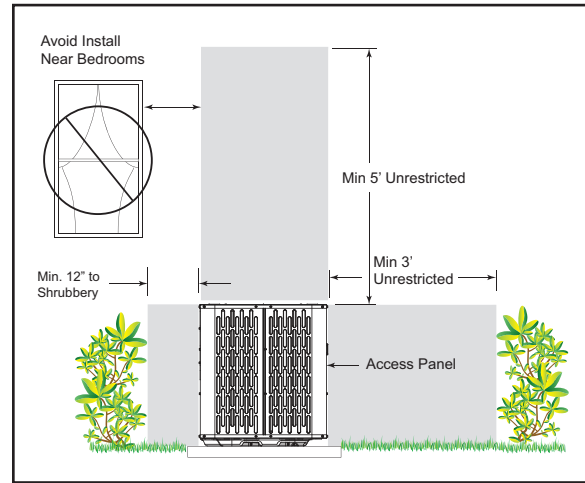
Three (3) feet clearance must be provided in front of the control box (access panels) and any other side requiring service.

It is not recommended to install in a location where noise may distract the building occupants. Some examples of these types of locations are sleeping quarters and by windows of a living area. Please discuss location with the building owner prior to installation.

Avoid locations such as near windows where condensation and freezing defrost vapor can annoy a customer.

Position the outdoor unit a minimum of 12" from any wall or surrounding shrubbery to ensure adequate airflow.

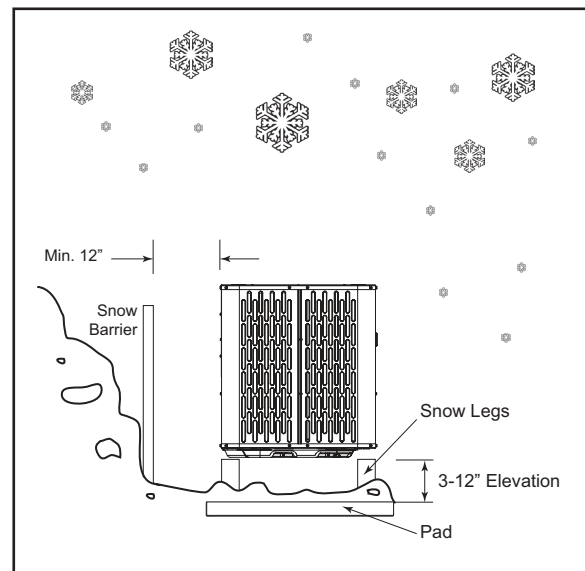
Outdoor unit location must be far enough away from any structure to prevent excess roof runoff water or icicles from falling directly on the unit.



## 2.5 Cold Climate Considerations

**NOTE:** It is recommended that these precautions be taken for units being installed in areas where snow accumulation and prolonged below freezing temperatures occur.

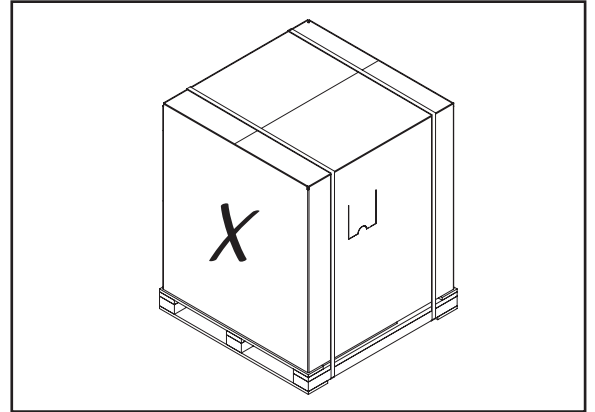
- Units should be elevated 3-12 inches above the pad or rooftop, depending on local weather. This additional height will allow drainage of snow and ice melted during defrost cycle prior to its refreezing. Ensure that drain holes in unit base pan are not obstructed preventing draining of defrost water.
- If possible, avoid locations that are likely to accumulate snow drifts. If not possible, a snow drift barrier should be installed around the unit to prevent a build-up of snow on the sides of the unit.



## Section 3. Unit Preparation

### 3.1 Prepare The Unit For Installation

**STEP 1** - Check for damage and report promptly to the carrier any damage found to the unit.

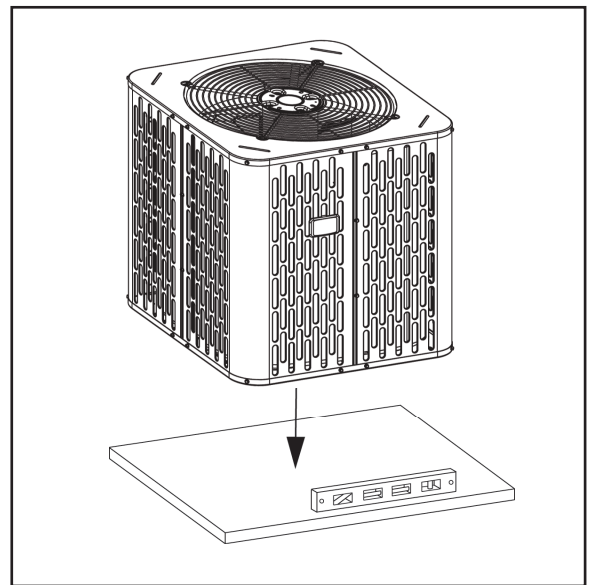


## Section 4. Setting the Unit

### 4.1 Pad Installation

When installing the unit on a support pad, such as a concrete slab, consider the following:

- The pad should be at least 1" larger than the unit on all sides.
- The pad must be separate from any structure.
- The pad must be level.
- The pad should be high enough above grade to allow for drainage.
- The pad location must comply with National, State, and Local codes.



## Section 5. Refrigerant Line Considerations

### 5.1 Refrigerant Line and Service Valve Connection Sizes

Table 5.1

Model	Line Sizes		Service Valve Connection Sizes	
	Vapor Line	Liquid Line	Vapor Line Connection	Liquid Line Connection
A4HP4017A	3/4	3/8	3/4	3/8
A4HP4018A	3/4	3/8	3/4	3/8
A4HP4023A	3/4	3/8	3/4	3/8
A4HP4024A	3/4	3/8	3/4	3/8
A4HP4030A	3/4	3/8	3/4	3/8
A4HP4036A	7/8	3/8	7/8	3/8
A4HP4042A	7/8	3/8	7/8	3/8
A4HP4048A	7/8	3/8	7/8	3/8
A4HP4060A	7/8	3/8	7/8	3/8

### 5.2 Factory Charge

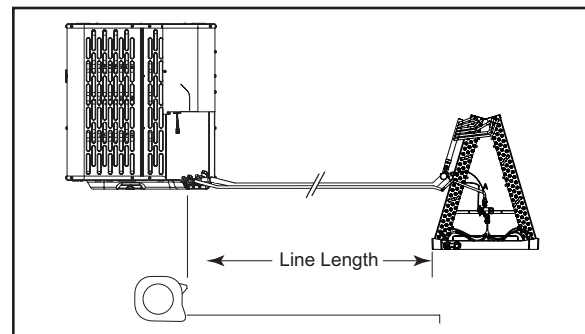
The outdoor condensing units are factory charged with the system charge required for the outdoor condensing unit, fifteen (15) feet of tested connecting line, and the smallest indoor evaporative coil match. **If connecting line length exceeds fifteen (15) feet and/or a larger indoor evaporative coil is installed, then final refrigerant charge adjustment is necessary.**

### 5.3 Required Refrigerant Line Length

Determine required line length and lift. You will need this later in STEP 2 of Section 14.

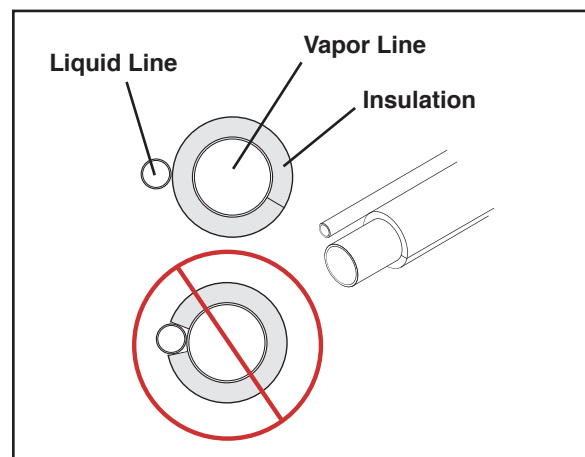
Total Line Length = \_\_\_\_\_ Ft.

Total Vertical Change (lift) = \_\_\_\_\_ Ft.



### 5.4 Refrigerant Line Insulation

**Important:** The Vapor Line must always be insulated. DO NOT allow the Liquid Line and Vapor Line to come in direct (metal to metal) contact.



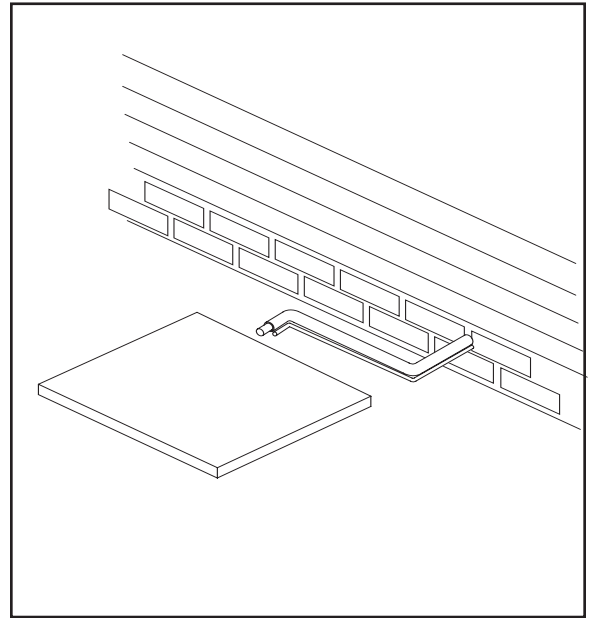
## 5.5 Reuse Existing Refrigerant Lines

### ⚠ CAUTION

If using existing refrigerant lines make certain that all joints are brazed, not soldered.

For retrofit applications, where the existing indoor evaporator coil and/or refrigerant lines will be used, the following precautions should be taken:

- Ensure that the indoor evaporator coil and refrigerant lines are the correct size.
- Ensure that the refrigerant lines are free of leaks, acid, and oil.



## Section 6. Refrigerant Line Routing

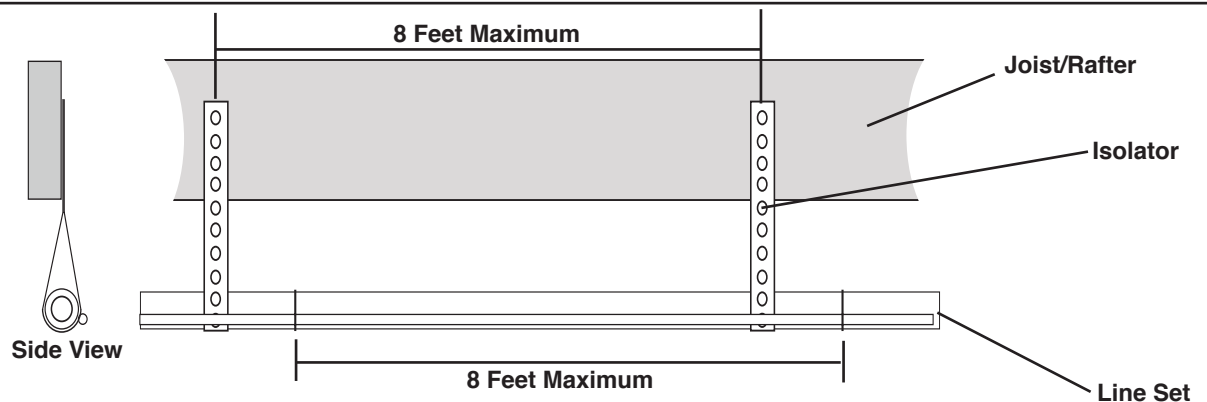
### 6.1 Precautions

**Important:** Take precautions to prevent noise within the building structure due to vibration transmission from the refrigerant lines.

Comply with National, State, and Local Codes when isolating line sets from joists, rafters, walls, or other structural elements.

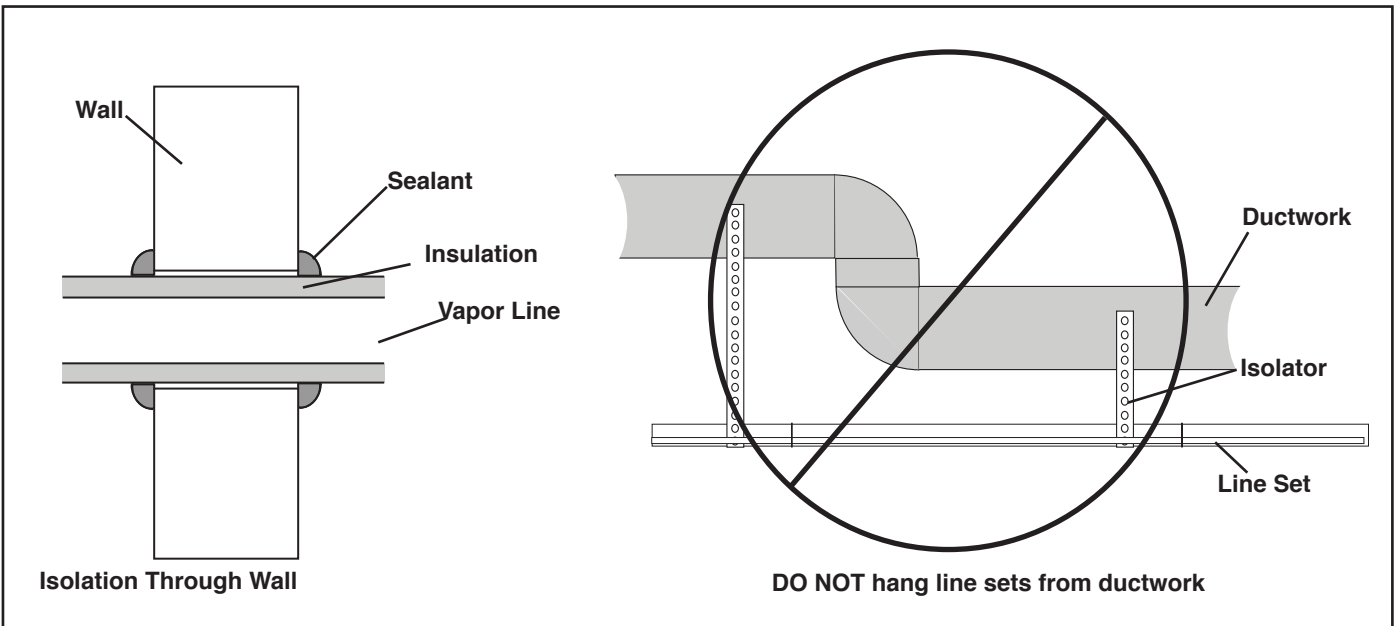
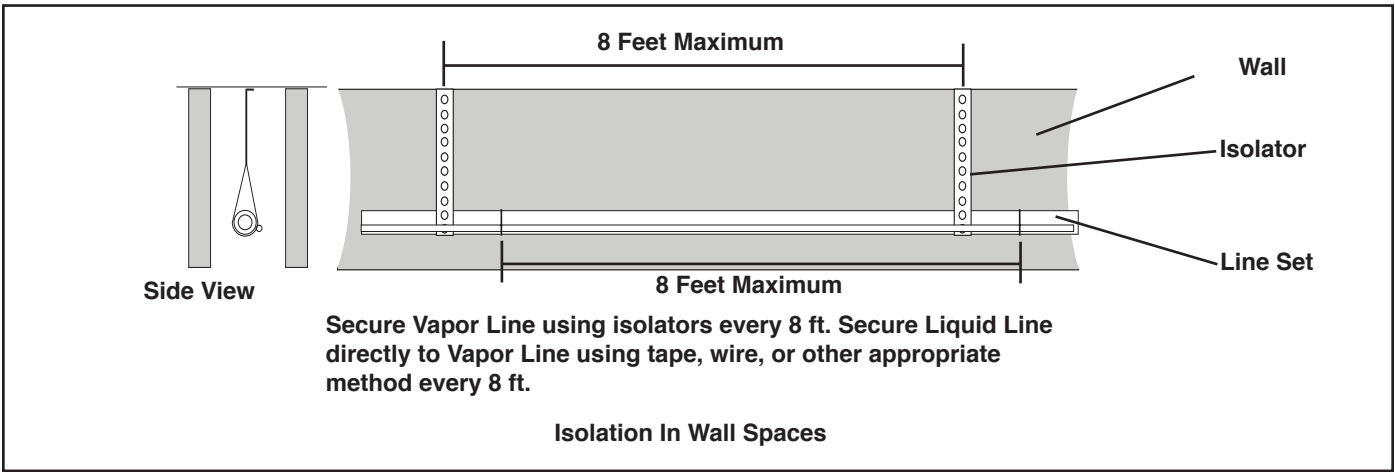
For Example:

- When the refrigerant lines have to be fastened to floor joists or other framing in a structure, use isolation type hangers.
- Isolation hangers should also be used when refrigerant lines are run in stud spaces or enclosed ceilings.
- Where the refrigerant lines run through a wall or sill, they should be insulated and isolated.
- Isolate the lines from all ductwork.
- Minimize the number of 90° turns.



Secure Vapor line from joists using isolators every 8 ft. Secure Liquid Line directly to Vapor line using tape, wire, or other appropriate method every 8 ft.

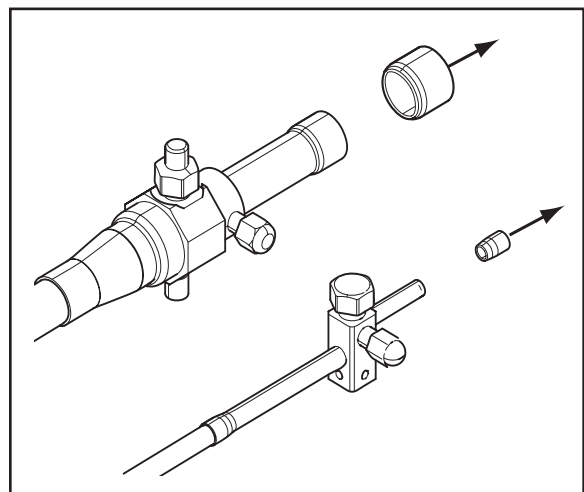
Isolation From Joist/Rafter



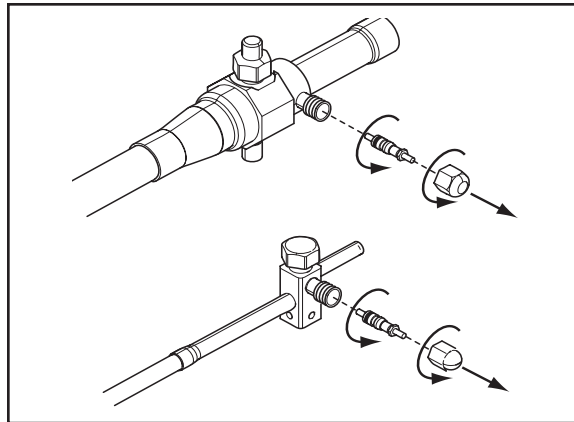
## Section 7. Refrigerant Line Brazing

### 7.1 Braze The Refrigerant Lines

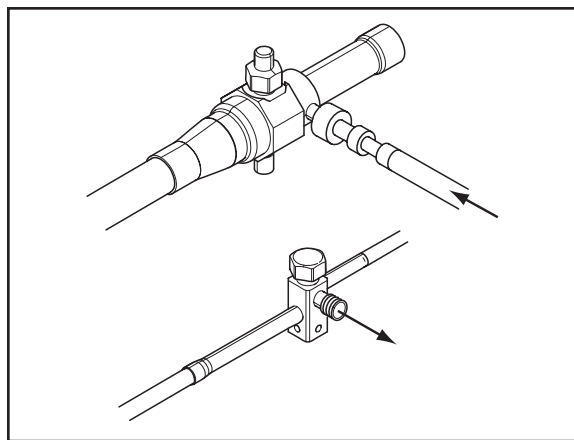
**STEP 1** - Remove caps or plugs. Use a deburring tool to deburr the pipe ends. Clean both internal and external surfaces of the tubing using an emery cloth.



**STEP 2** - Remove the pressure tap cap and valve cores from both service valves.



**STEP 3** - Purge the refrigerant lines and indoor coil with dry nitrogen.



**STEP 4** - Wrap a wet rag around the valve body to avoid heat damage and continue the dry nitrogen purge.

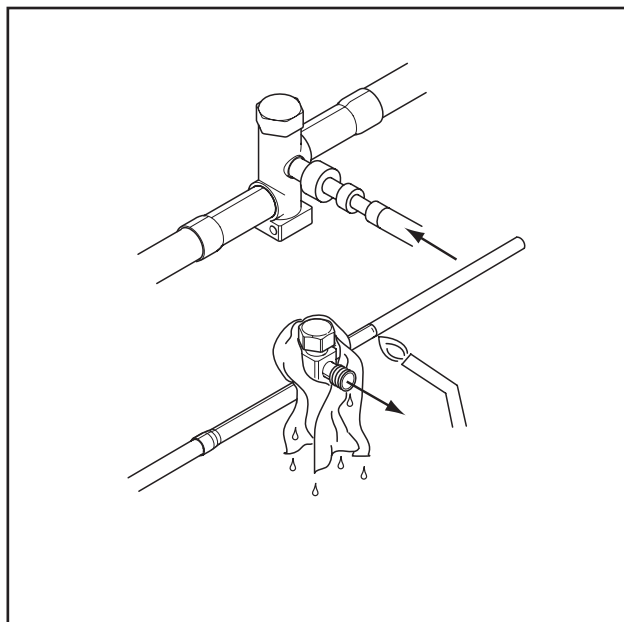
Braze the refrigerant lines to the service valves.

Continue the dry nitrogen purge. Do not remove the wet rag until all brazing is completed.

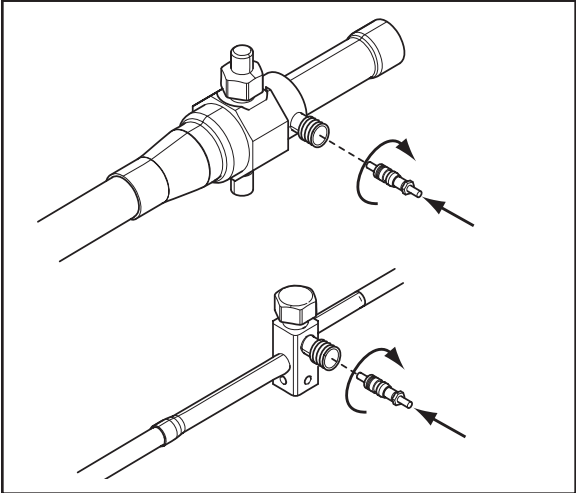
**Important:** Remove the wet rag before stopping the dry nitrogen purge.

**Note:** Install drier in Liquid Line.

**NOTE:** Precautions should be taken to avoid heat damage to basepan during brazing. It is recommended to keep the flame directly off of the basepan.



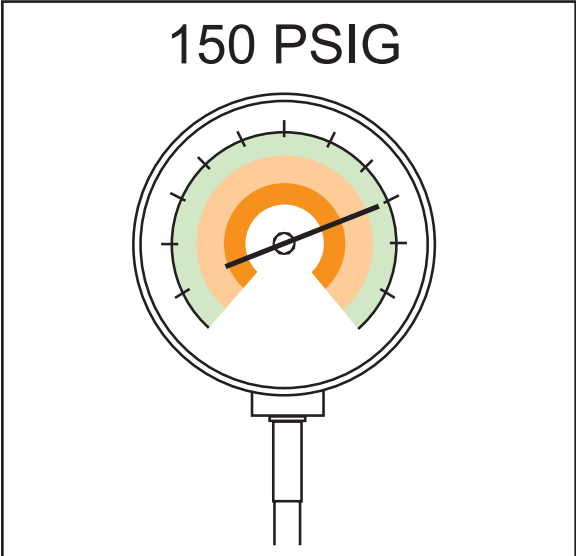
**STEP 5** - Replace the pressure tap valve cores after the service valves have cooled.



## Section 8. Refrigerant Line Leak Check

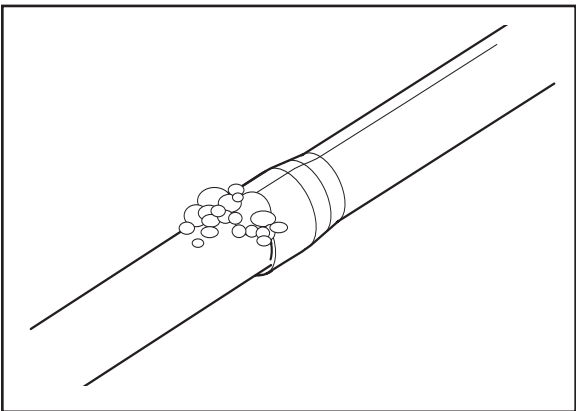
### 8.1 Check For Leaks

**STEP 1** - Pressurize the refrigerant lines and evaporator coil to 150 PSIG using dry nitrogen.



**STEP 2** - Check for leaks by using a soapy solution or bubbles at each brazed location.

Remove nitrogen pressure and repair any leaks before continuing.



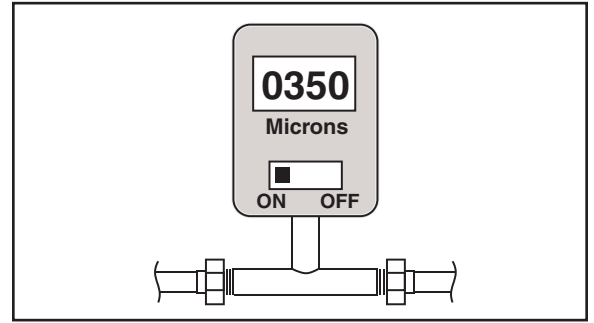


## Section 9. Evacuation

### 9.1 Evacuate the Refrigerant Lines and Indoor Coil

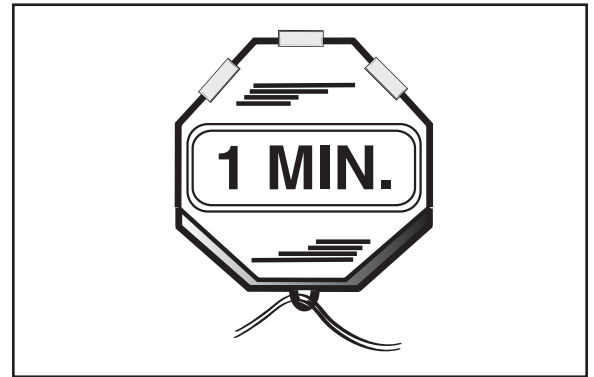
**Important:** Do not open the service valves until the refrigerant lines and indoor coil leak check and evacuation are complete.

**STEP 1** - Evacuate until the micron gauge reads no higher than 350 microns, then close off the valve to the vacuum pump.



**STEP 2** - Observe the micron gauge. Evacuation is complete if the micron gauge does not rise above 500 microns in one (1) minute.

Once evacuation is complete blank off the vacuum pump and micron gauge, and close the valves on the manifold gauge set.



## Section 10. Service Valves

### 10.1 Open the Gas Service Valve

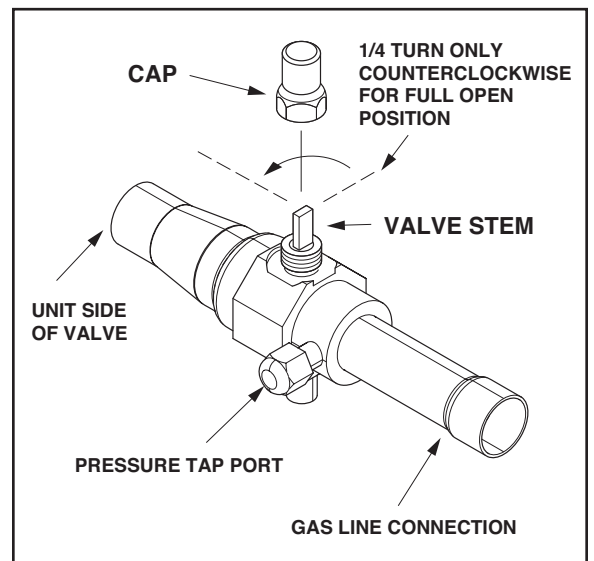
**Important:** Leak check and evacuation must be completed before opening the service valves.

**NOTE:** Do not vent refrigerant gases into the atmosphere.

**STEP 1** - Remove valve stem cap.

**STEP 2** - Using an adjustable wrench, turn valve stem 1/4 turn counterclockwise to the fully open position.

**STEP 3** - Replace the valve stem cap to prevent leaks. Tighten finger tight plus an additional 1/6 turn.



## 10.1 Open the Liquid Service Valve

### **⚠ WARNING**

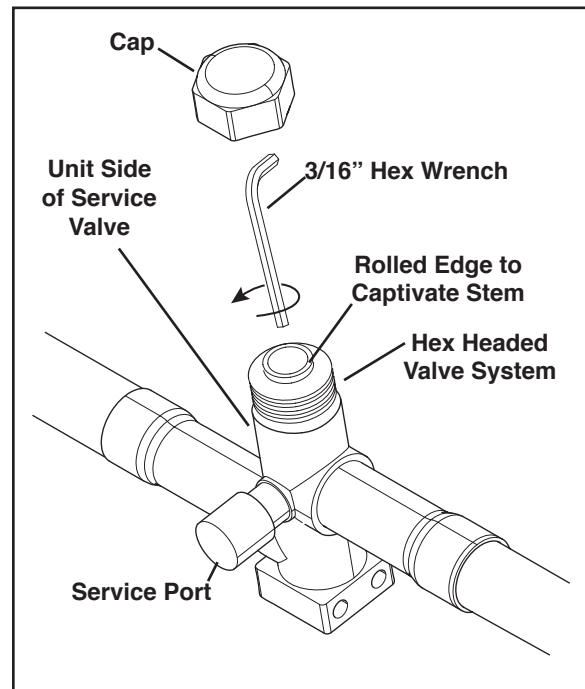
Extreme caution should be exercised when opening the Liquid Line Service Valve. Turn counterclockwise until the valve stem just touches the rolled edge. No torque is required. Failure to follow this warning will result in abrupt release of system charge and may result in personal injury and /or property damage.

**Important:** Leak check and evacuation must be completed before opening the service valves.

**STEP 1** - Remove service valve cap.

**STEP 2** - Fully insert 3/16" hex wrench into the stem and back out counterclockwise until valve stem just touches the rolled edge (approximately five (5) turns.)

**STEP 3** - Replace the valve cap to prevent leaks. Tighten finger tight plus an additional 1/6 turn.



## Section 11. Electrical - Low Voltage

### 11.1 Low Voltage Maximum Wire Length

Table 11.1 defines the maximum total length of low voltage wiring from the outdoor unit, to the indoor unit, and to the thermostat.

**Table 11.1**

24 VOLTS	
WIRE SIZE	MAX. WIRE LENGTH
18 AWG	150 Ft.
16 AWG	225 Ft.
14 AWG	300 Ft.



## Section 12. Electrical - High Voltage

### 12.1 High Voltage Power Supply

#### **⚠ WARNING**

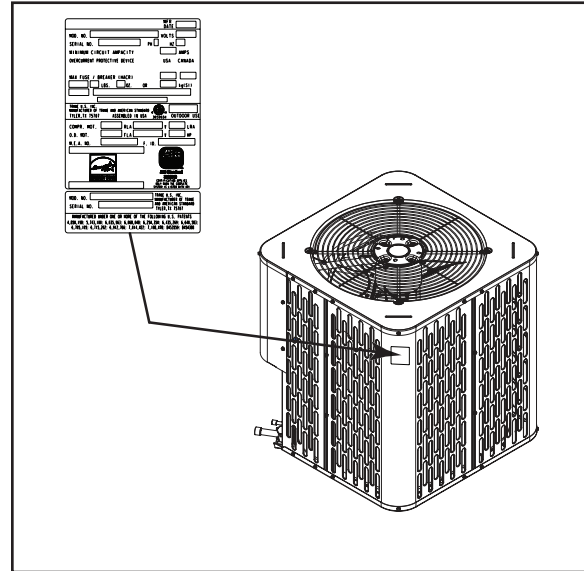
##### **LIVE ELECTRICAL COMPONENTS!**

During installation, testing, servicing, and troubleshooting of this product, it may be necessary to work with live electrical components. Failure to follow all electrical safety precautions when exposed to live electrical components could result in death or serious injury.

The high voltage power supply must agree with the equipment nameplate.

Power wiring must comply with national, state, and local codes.

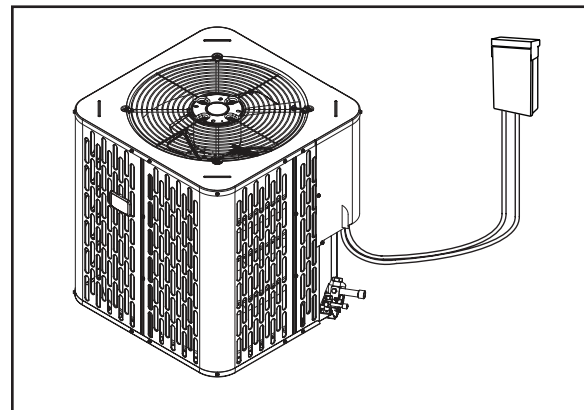
Follow instructions on unit wiring diagram located on the inside of the control box cover and in the Service Facts document included with the unit.



### 12.2 High Voltage Disconnect Switch

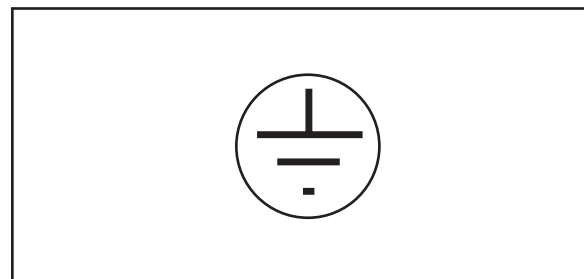
Install a separate disconnect switch at the outdoor unit.

For high voltage connections, flexible electrical conduit is recommended whenever vibration transmission may create a noise problem within the structure.



### 12.3 High Voltage Ground

Ground the outdoor unit per national, state, and local code requirements.

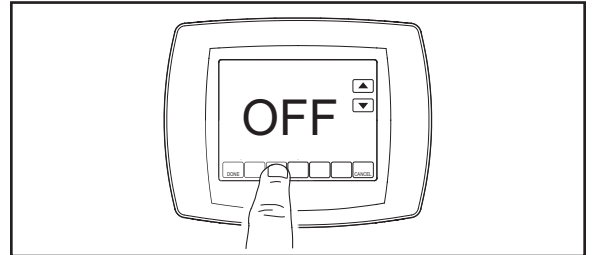


## Section 13. Start Up

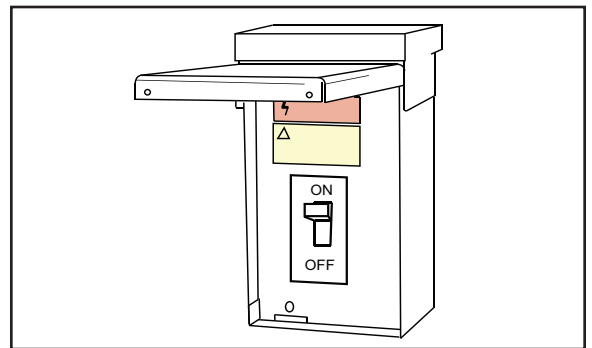
### 13.1 System Start Up

**STEP 1** - Ensure Sections 7 through 12 have been completed.

**STEP 2** - Set System Thermostat to OFF.



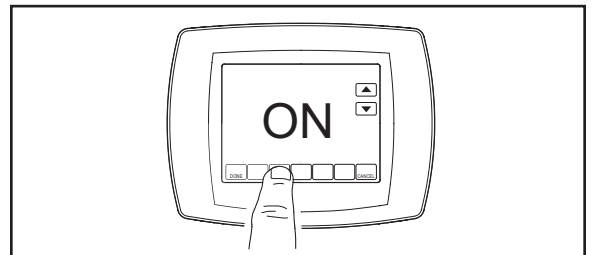
**STEP 3** - Turn on disconnect(s) to apply power to the indoor and outdoor units.



**STEP 4** - Wait one (1) hour before starting the unit if compressor crankcase heater accessory is used and the Outdoor Ambient is below 70°F.



**STEP 5** - Set system thermostat to ON.



## Section 14. System Charge Adjustment (Systems can be rated with TXV, EEV or Piston)

**NOTE:** For systems using a indoor piston metering device, refer to the Superheat charging method and chart. For systems using a TXV or EEV indoor metering device, refer to Subcool charging method and charts.

### 14.1 Temperature Measurements

**STEP 1** - Check the outdoor temperatures.

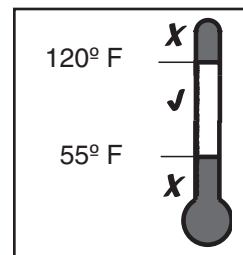
Subcooling (in cooling mode) is the only recommended method of charging above 55° F ambient outdoor temperature. See Section 14.2.

For outdoor temperatures below 55° F, see Section 14.3.

**Note:** It is important to return in the spring or summer to accurately charge the system in the cooling mode when outdoor ambient temperature is above 55° F.

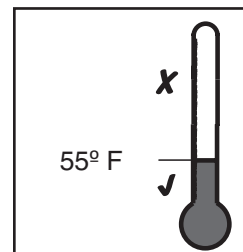
For best results the indoor temperature should be kept between 70° F to 80° F.

See Section 14.2 for  
Outdoor  
Temperatures  
Above 55° F

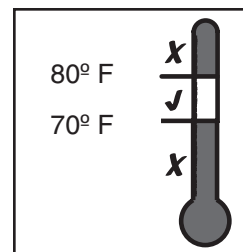


Outdoor Temp 1

See Section 14.3 for  
Outdoor  
Temperatures  
Below 55° F



Outdoor Temp 2



Indoor Temp

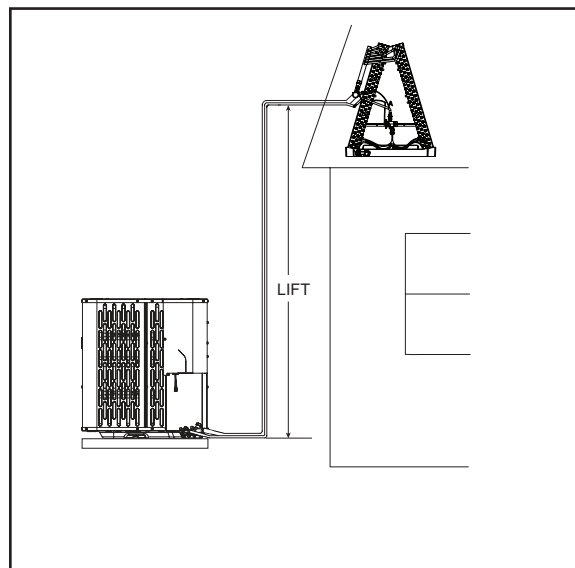
### 14.2 Subcooling Charging in Cooling (Above 55° F Outdoor Temp.)

**STEP 1** - Use the refrigerant line total length and lift measurements from Section 5.3.

Total Line Length = \_\_\_\_\_ Ft.

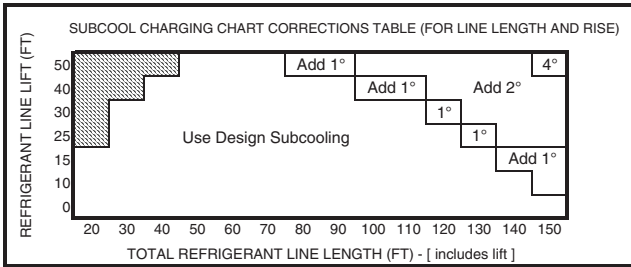
Vertical Change (Lift) = \_\_\_\_\_ Ft.

**Note:** Use this method when matched with a TXV or EEV indoor unit.

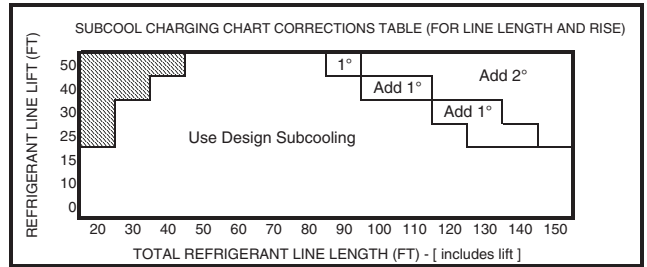


**STEP 2 -** Determine the final subcooling value using total Line Length and Lift measured in STEP 1 and the charts below.

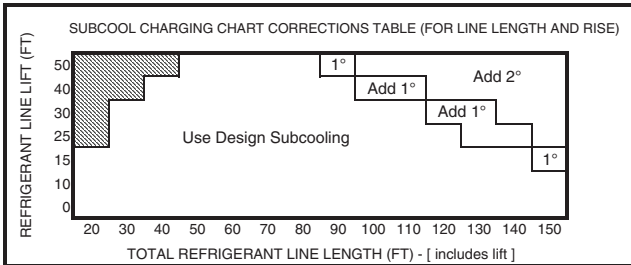
**1 1/2 Ton Heat Pump**



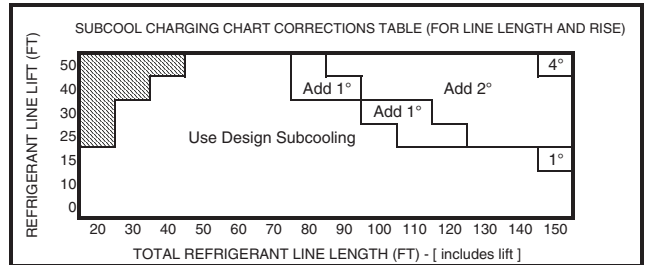
**2 Ton Heat Pump**



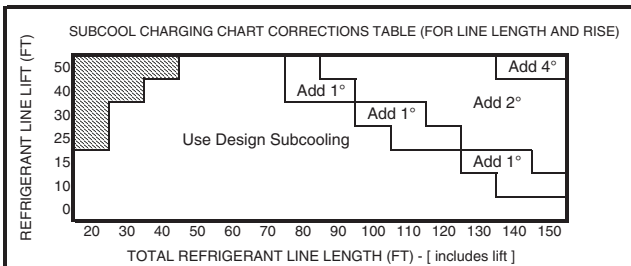
**2 1/2 Ton Heat Pump**



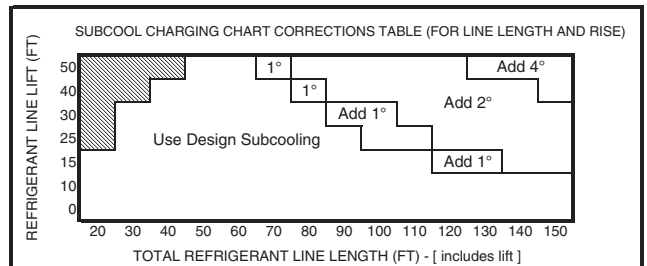
**3 Ton Heat Pump**



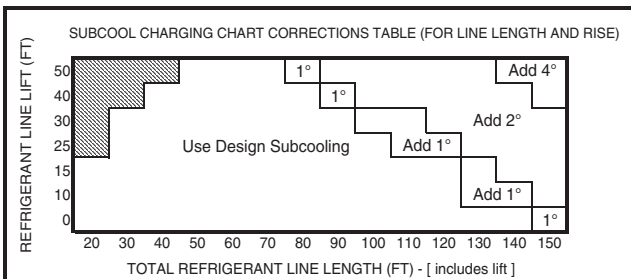
**3 1/2 Ton Heat Pump**



**4 Ton Heat Pump**



**5 Ton Heat Pump**



Design Subcooling Value = \_\_\_\_\_ ° F  
(from nameplate or Service Facts)

Subcooling Correction = \_\_\_\_\_ ° F

Final Subcooling Value = \_\_\_\_\_ ° F

**STEP 3 -** Stabilize the system by operating for a minimum of 20 minutes.

At startup, or whenever charge is removed or added, the system must be operated for a minimum of 20 minutes to stabilize before accurate measurements can be made.

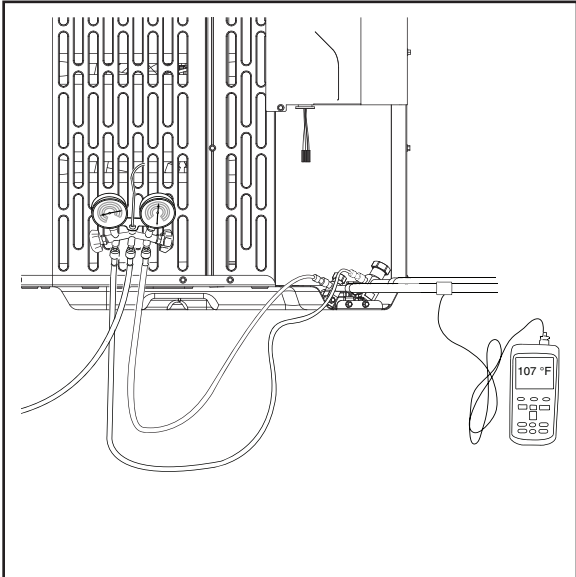


**STEP 4** - Measure the liquid line temperature and pressure at the outdoor unit's service valve.

Measured Liquid Line Temp = \_\_\_\_\_ ° F

Liquid Gage Pressure = \_\_\_\_\_ PSIG

Final Subcooling Value = \_\_\_\_\_ ° F



**STEP 5** - Use the final subcooling value, refrigerant temperature and pressure from STEP 4, to determine the proper liquid gage pressure using Table 14.2.

Example: Assume a 12° F Final Subcooling value and liquid temp of 90° F.

1. Locate 12° F Final Subcooling in Table 14.2.
2. Locate the Liquid Temperature (90° F) in the left column.
3. The Liquid Gage Pressure should be approximately 327 PSIG. (This is shown as the intersection of the Final Subcooling column and the Liquid Temperature row.

**Table 14.2**

R-410A REFRIGERANT CHARGING CHART							
LIQUID TEMP (°F)	FINAL SUBCOOLING (°F)						
	8	9	10	11	12	13	14
LIQUID GAGE PRESSURE (PSI)							
55	179	182	185	188	191	195	198
60	195	198	201	204	208	211	215
65	211	215	218	222	225	229	232
70	229	232	236	240	243	247	251
75	247	251	255	259	263	267	271
80	267	271	275	279	283	287	291
85	287	291	296	300	304	309	313
90	309	313	318	322	327	331	336
95	331	336	341	346	351	355	360
100	355	360	365	370	376	381	386
105	381	386	391	396	402	407	413
110	407	413	418	424	429	435	441
115	435	441	446	452	458	464	470
120	464	470	476	482	488	495	501
125	495	501	507	514	520	527	533

From Dwg. D154557P01 Rev. 3

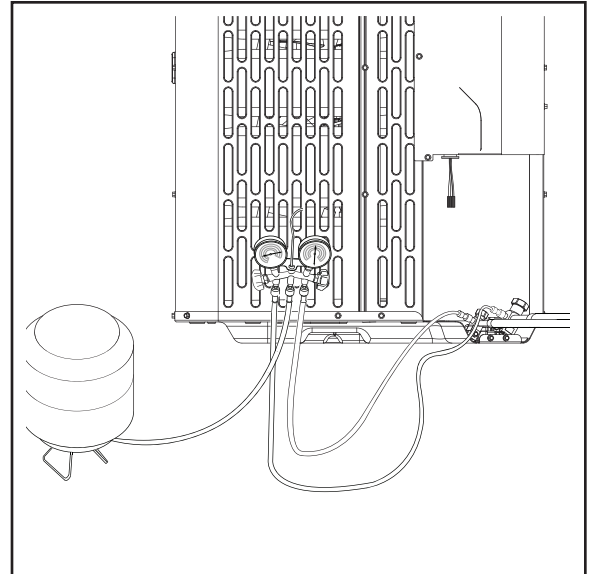


**STEP 6** - Adjust refrigerant level to attain proper gage pressure.

**Add refrigerant** if the Liquid Gage Pressure is lower than the chart value.

1. Connect gages to refrigerant bottle and unit as illustrated.
2. Purge all hoses.
3. Open bottle.
4. Stop adding refrigerant when liquid line temperature and Liquid Gage Pressure matches the charging chart Final Subcooling value.

**Recover refrigerant** if the Liquid Gage Pressure is higher than the chart value.



**STEP 7** - Stabilize the system.

1. Wait 20 minutes for the system condition to stabilize between adjustments.

**Note:** When the Liquid Line Temperature and Gage Pressure approximately match the chart, the system is properly charged.

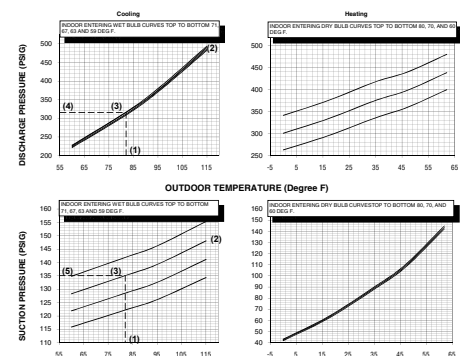
2. Remove gages.
3. Replace service port caps to prevent leaks. Tighten finger tight plus an additional 1/6 turn.



**STEP 8** - Verify typical performance.

Refer to System Pressure Curves in the Service Facts to verify typical performance.

(Example only - see Service Facts)



## Fixed Orifice Superheat Charging Table

		Indoor Wet Bulb Temp (F)																												
		50	51	52	53	54	55	56	57	58	59	60	61	62	63	64	65	66	67	68	69	70	71	72	73	74	75	76	77	78
Outdoor Dry Bulb Temp. (F)	55	7	9	10	11	12	14	15	17	18	20	21	23	24	26	27	29	30												
	60	5	7	8	9	10	12	13	15	16	18	19	21	22	24	25	27	28	30	31										
	65			4	6	8	10	11	13	14	16	17	18	19	21	22	24	25	27	28	27	31								
	70					5	7	8	10	11	13	14	16	17	18	19	21	22	24	25	27	28	30	31						
	75							5	6	7	9	10	12	14	16	18	19	21	22	24	26	28	29	31	32					
	80									4	6	7	9	10	11	12	14	16	18	19	21	23	25	26	28	29	31	33		
	85										4	6	7	9	10	13	14	16	18	20	21	23	24	26	28	29	30	31	32	
	90												4	6	8	10	11	13	14	16	18	20	22	24	25	27	28	30	31	
	95														4	6	8	10	13	14	16	18	20	22	23	25	26	28	29	
	100																6	8	10	12	13	16	18	20	21	23	25	27	29	
	105																4	6	7	9	11	13	15	18	20	22	24	26	28	
	110																		4	7	9	11	13	16	18	21	23	26	28	
	115																				6	9	12	14	16	19	21	24	26	

Using a digital psychrometer, measure the return air wet-bulb temperature at the unit just before the coil. Also measure the outdoor dry-bulb temperature. Use these temperatures to locate the target superheat on the charging table. Do not attempt to charge the system if these conditions fall outside of this charging table.  
**ADD** refrigerant to **DECREASE** total superheat. **REMOVE** refrigerant to **INCREASE** total superheat. Always allow 10 to 15 minutes of operation after any refrigerant or air flow change prior to determining the final superheat.

**STEP 9** - Record System Information for reference.

Record system pressures and temperatures after charging is complete.

Outdoor model number = \_\_\_\_\_

Measured Suction Line Temp = \_\_\_\_\_ ° F

Measured Outdoor Ambient = \_\_\_\_\_ ° F

Liquid Gage Pressure = \_\_\_\_\_ PSIG

Measured Indoor Ambient = \_\_\_\_\_ ° F

Suction Gage Pressure = \_\_\_\_\_ PSIG

Measured Liquid Line Temp = \_\_\_\_\_ ° F

**14.3 Subcooling Charging Below 55° F Outdoor Temp. (In Heating Only)**

The Subcooling Charging method in cooling is **not** recommended below 55° F outdoor temperature.

The only recommended method of charging at outdoor temperatures below 55° F is weighing in the charge in **heating mode**.

**STEP 1** - Determine additional charge.

**Note:** The nameplate charge value represents the amount of refrigerant shipped in the outdoor unit and is compatible with 15 feet of AHRI rated refrigerant lines and the smallest AHRI rated coil.

Using the method below, find the charge associated with the additional length of tubing above 15 ft. and record it below.

Weigh-In Method can be used for the initial installation, or anytime a system charge is being replaced. Weigh-In Method can also be used when power is not available to the equipment site or operating conditions (indoor/outdoor temperatures) are not in range to verify with the subcooling charging method.

**Calculating Charge Using the Weigh-In Method**

**STEP 1** - Measure in feet the distance between the outdoor unit and the indoor unit. (Include the entire length of the line from the service valve to the IDU.) Subtract 15 ft from this entire length and record on line 1.

1. Total Line length (ft) -15 ft \_\_\_\_\_

**STEP 2** - Enter the charge multiplier (0.6 oz/ft). Each linear foot of interconnecting tubing requires the addition of 0.6 oz of refrigerant.

2. Charge multiplier x 0.6 oz

**STEP 3** - Multiply the total length of refrigerant tubing (Line 1) times the value on Step 2. Record the result on Line 3 of the Worksheet.

3. Step 1 x Step 2 = \_\_\_\_\_

**STEP 4** - This is the amount of refrigerant to weigh-in prior to opening the service valves.

4. Refrigerant (oz) = \_\_\_\_\_

**STEP 2** - Stabilize the system by operating for a minimum of 20 minutes.

At startup, or whenever charge is removed or added, the system must be operated for a minimum of 20 minutes to stabilize before accurate measurements can be made.



**STEP 3** - Check the liquid line temperature and liquid gage pressure to obtain a minimum of 10° subcooling in heating mode.

Measured Liquid Line Temp = \_\_\_\_\_ ° F

Liquid Gage Pressure = \_\_\_\_\_ PSIG

**STEP 4** - Add charge if a minimum of 10° subcooling is not obtained with the namplate charge plus additional charge previously added.

**STEP 5** - Return to site for adjustment.

**Important:** Return in the spring or summer to accurately charge the system in the cooling mode with outdoor ambient **above 55° F**.

# Section 15. Checkout Procedures and Troubleshooting

## 15.1 Operational And Checkout Procedures

Final phases of this installation are the unit Operational and Checkout Procedures. To obtain proper performance, all units must be operated and charge adjustments made.

**Important: Perform a final unit inspection to be sure that factory tubing has not shifted during shipment. Adjust tubing if necessary so tubes do not rub against each other when the unit runs. Also be sure that wiring connections are tight and properly secured.**

### CHECKOUT PROCEDURE

After installation has been completed, it is recommended that the entire system be checked against the following list:

- |   |  |
|---|--|
| 1. Leak check refrigerant lines. .... [ ]   | 7. Be sure that indoor coil drain line drains freely. Pour water into drain pan..... [ ] |
| 2. Properly insulate suction lines and fittings..... [ ]  | 8. Be sure that supply registers and return grilles are open and unobstructed..... [ ]   |
| 3. Properly secure and isolate all refrigerant lines..... [ ]   | 9. Be sure that a return air filter is installed. .... [ ]                               |
| 4. Seal passages through masonry.<br>If mortar is used, prevent mortar from coming into direct contact with copper tubing. .... [ ] | 10. Be sure that the correct airflow setting is used. (Indoor blower motor) ..... [ ]    |
| 5. Verify that all electrical connections are tight..... [ ]  | 11. Operate complete system in each mode to ensure safe operation..... [ ]               |
| 6. Observe outdoor fan during on cycle for clearance and smooth operation..... [ ]  |  |

## 15.2 Troubleshooting

SYSTEM FAULTS	WHAT TO CHECK MODE HIGH VOLTAGE SUPPLY COMPRESSOR IOL RUN CARACTOR START CARACTOR CONTACTOR CONTACTS CONTROL TRANSFORMER LOW VOLTAGE WIRING THERMOSTAT CONTACTOR COIL STUCK COMPRESSOR INEFFICIENT COMP. REF. UNDERCHARGE EXCESSIVE EVAP. LOAD NONCONDENSABLES RES. O.D. AIRFLOW O.D. AIR RECIRCULATION TXV/EV STUCK OPEN RES. I.D. AIRFLOW SUPERHEAT REF. CIR. RESTRICTIONS SOV LEAKING CHECK VALVE DEFECTIVE *DEFROST RELAY LEAKING DEFROST CONTROL DEF.																			
	REFRIGERANT CIRCUIT																			
Head Pressure Too High	C																		P	P
	H																		P	P
Head Pressure Too Low	C									S	P								S	S
	H									S	P								S	S
Suction Pressure Too High	C									S	P	P							S	S
	H									S									S	
Suction Pressure Too Low	C										P								S	P
	H										P								S	S
Liquid Refrig. Floodback (TXV/EEV)	C																			P
	H																			P
Liquid Refrig. Floodback (Cap. Tube)	C										P								S	P
	H										P								S	
I.D. Coil Frosting	C										P								S	S
	H																			
Compressor Runs Inadequate or No Cooling/Htg	C									S	P		S	S				S	P	
	H									S	P		S					S	P	
<b>ELECTRICAL</b>																				
Compressor & O.D. Fan Won't Start	C	P	P					S	P	S	P	P								
	H	P	P					S	P	S	P	P								
Compressor Will Not Start But O.D. Fan Runs	C		P	S	P	S	S	S											P	
	H		P	S	P	S	S	S											P	
O.D. Fan Won't Start	C		P		P			S												
	H		P		P			S												
Compressor Hums But Won't Start	C				P	S	S	S											P	
	H				P	S	S	S											P	
Compressor Cycles on IOL	C		P	S	P	S	S	S											P	S
	H		P	S	P	S	S	S											P	S
I.D. Blower Won't Start	C	P	P					S	P	S		S								
	H	P	P					S	P	S		S								
<b>DEFROST</b>																				
Unit Won't Initiate Defrost	C																			
	H																		P	P
Defrost Terminates on Time	C																			
	H										P									P
Unit Icing Up	C																			
	H										P			S	S			S	P	P

C - Cooling    H - Heating    P - Primary Causes    S - Secondary Causes    \* - 3 Phase Only

**Notes**



6200 Troup Highway  
Tyler, TX 75707  
[www.ingersollrandproducts.com](http://www.ingersollrandproducts.com)



Ingersoll Rand has a policy of continuous product and product data improvement and it reserves the right to change design and specifications without notice.